

# THE TELECOMLINE SERIES

12-00202

## Single pair analogue line protector

### Features

- Economical single pair protection
- Low residual voltage
- Meets industry standards
- Reduces down time
- Increases network reliability
- 2 year warranty



### Application

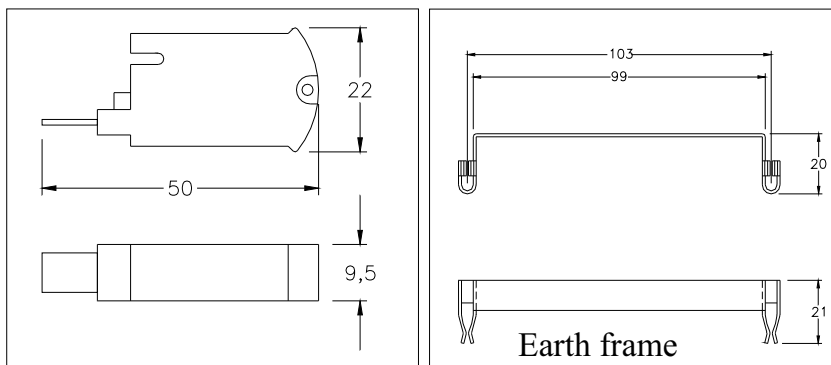
The Clearline Kp1 series single line protector uses state of the art semiconductor technology to protect telecom systems and networks from the damaging effects of induced lightning, AC induction and electrostatic discharges. In the normal mode of operation, the protection module is transparent to the functioning of the telecommunication system, but when the voltages exceed the breakdown voltages, the semiconductor device activates and diverts the harmful energy away from the equipment being protected.

The single line protectors are designed to interface with Krone LSA Plus\* disconnect blocks, and together with the earth bars, protect applications at telephone exchanges, remote cellular sites, building entrance terminations and equipment at customer premises.

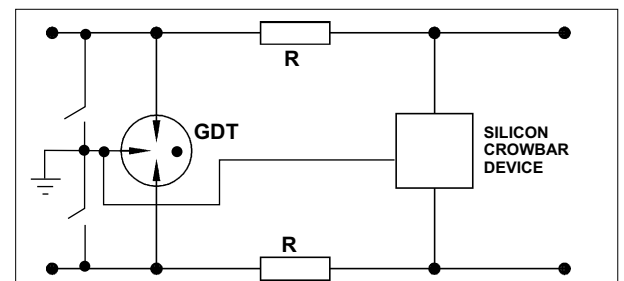
### Specifications

| Application                                  | Voice / Data |
|--|--------------|
| Max operating voltage                        | 230VDC       |
| Max operating current                        | 0.3A         |
| Max discharge current 8/20 differential mode | 5kA          |
| Max discharge current 8/20 common mode       | 10kA         |
| Residual voltage at 5kA differential mode    | Approx. 100V |
| Residual voltage at 5kA common mode          | Approx. 200V |
| Series resistance (per leg)                  | 20Ω          |
| Data rate                                    | 0,2dB 100KHz |
| Temperature range                            | 0°C to +70°C |
| Data speed                                   | 100KHz       |
| Optional accessory Earth frame - Order code  | 12-00660     |

### Dimensions



### Circuit Diagram



\*Krone is LSA plus is registered trademark of Krone GMBH Germany

### Designed and Manufactured by:

#### Clearline Protection Systems (Pty) Ltd

Roan Crescent Corporate Park North, Old Pta Road, Midrand, South Africa

P.O. Box 5985, Halfway House, 1685

Tel: +27 (0) 11 848-1111

Fax: +27 (0) 11 314-3880

E-mail: sales@clearline.co.za

www.clearline.co.za

