

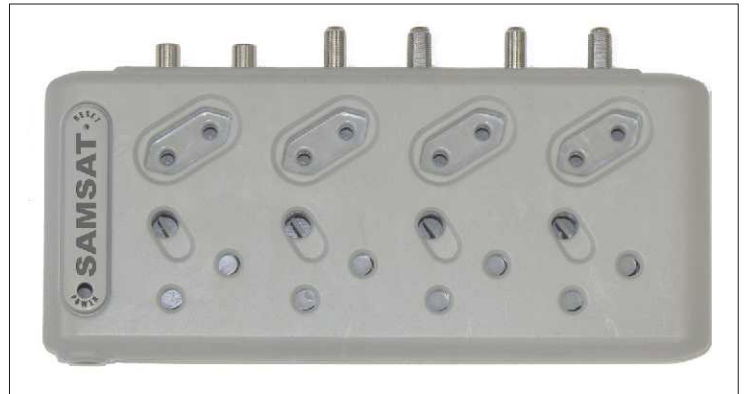
THE DUOLINE SERIES

12-00198

Television and Computer Protection Systems

Features

- Plug-and-Play concept
- High surge capability
- Fire hazard protection
- Protection indication lamps
- Line filtration



Clearline protects your Television, Mnet, PVR, decoder, Satellite decoder and VCR against lightning and surges without additional earthing. The protection modules have multiple stages of protection capable of blocking severe lightning and power surges. Clearline incorporates a fast overload device which will be activated in extreme conditions. Functional indication lamps display the protection status of the unit. Clearline's unique built-in thermal protection devices eliminates fire hazards.

Specifications

Power Module

Max. continuous voltage	250V 50Hz
Max. continuous current (Thermal overload protected)	16A
Max. discharge current at 8/20	8kA L-N, L-E, N-E
Response Time	<25ns
Leakage current	<1.0mA
Filtration	20dB

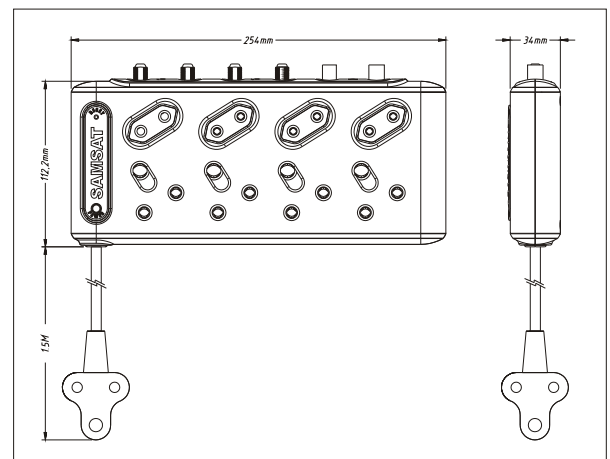
TV/Satellite Modules

	TV	Satellite
Max. discharge current	10kA	10kA
Residual voltage ismax	<100V, L-L, L-E	<100V, L-L, L-E
Response Time	<100ns	<100ns
Frequency response	800MHz	1500MHz

Modem Module

Max discharge current (Excluding RJ11 connectors)	10kA (8/20)
Residual voltage at 10kA (Common mode)	Approx. 200V
Residual voltage at 10kA (Differential mode)	Approx. 200V
Data speed	100 kbits/s

Dimensions



Designed and Manufactured by:

Clearline Protection Systems (Pty) Ltd

Roan Crescent Corporate Park North, Old Pta Road, Midrand, South Africa

P.O. Box 5985, Halfway House, 1685

Tel: +27 (0) 11 848-1111

Fax: +27 (0) 11 314-3880

E-mail: sales@clearline.co.za

www.clearline.co.za

